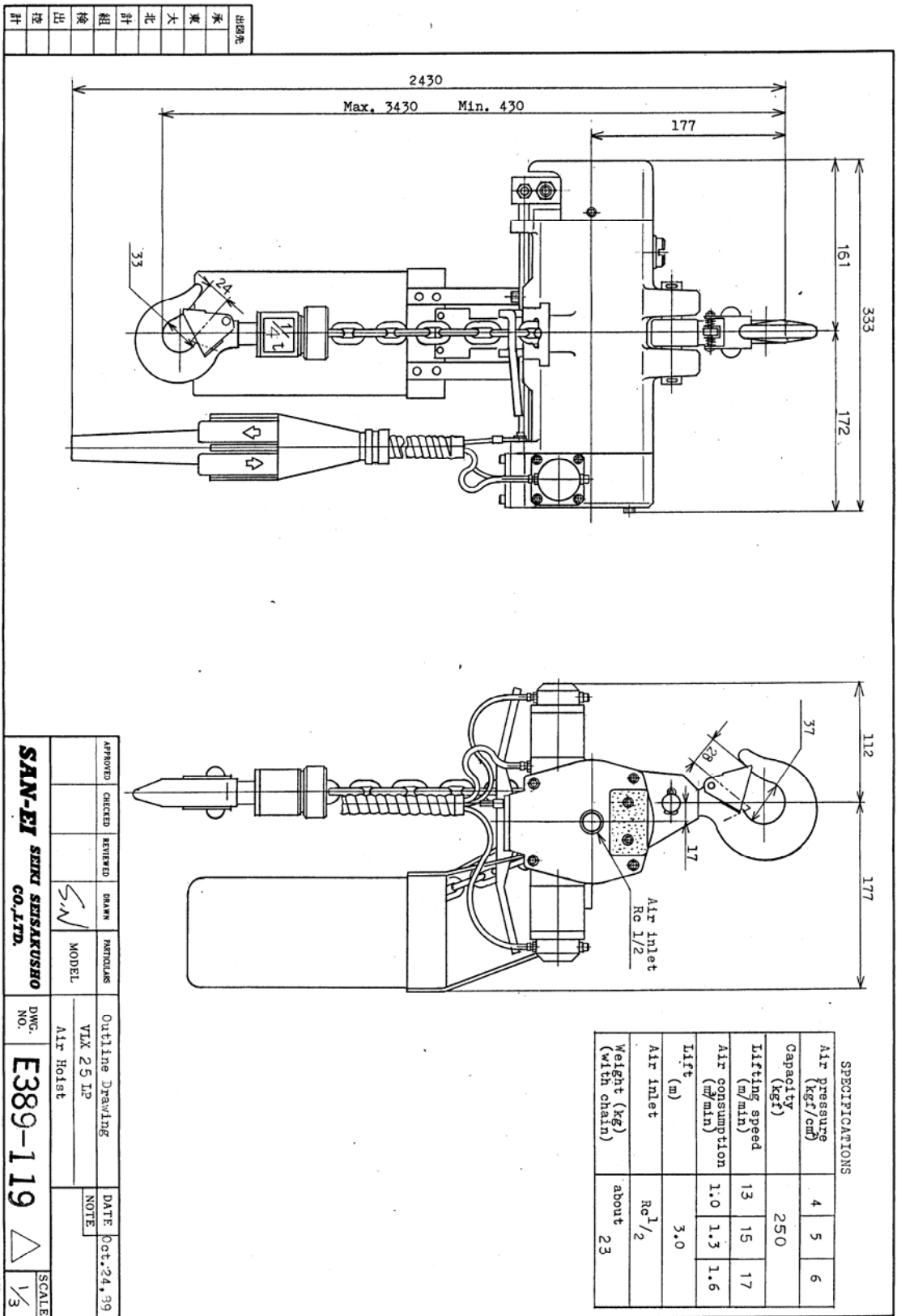


VLX25LP



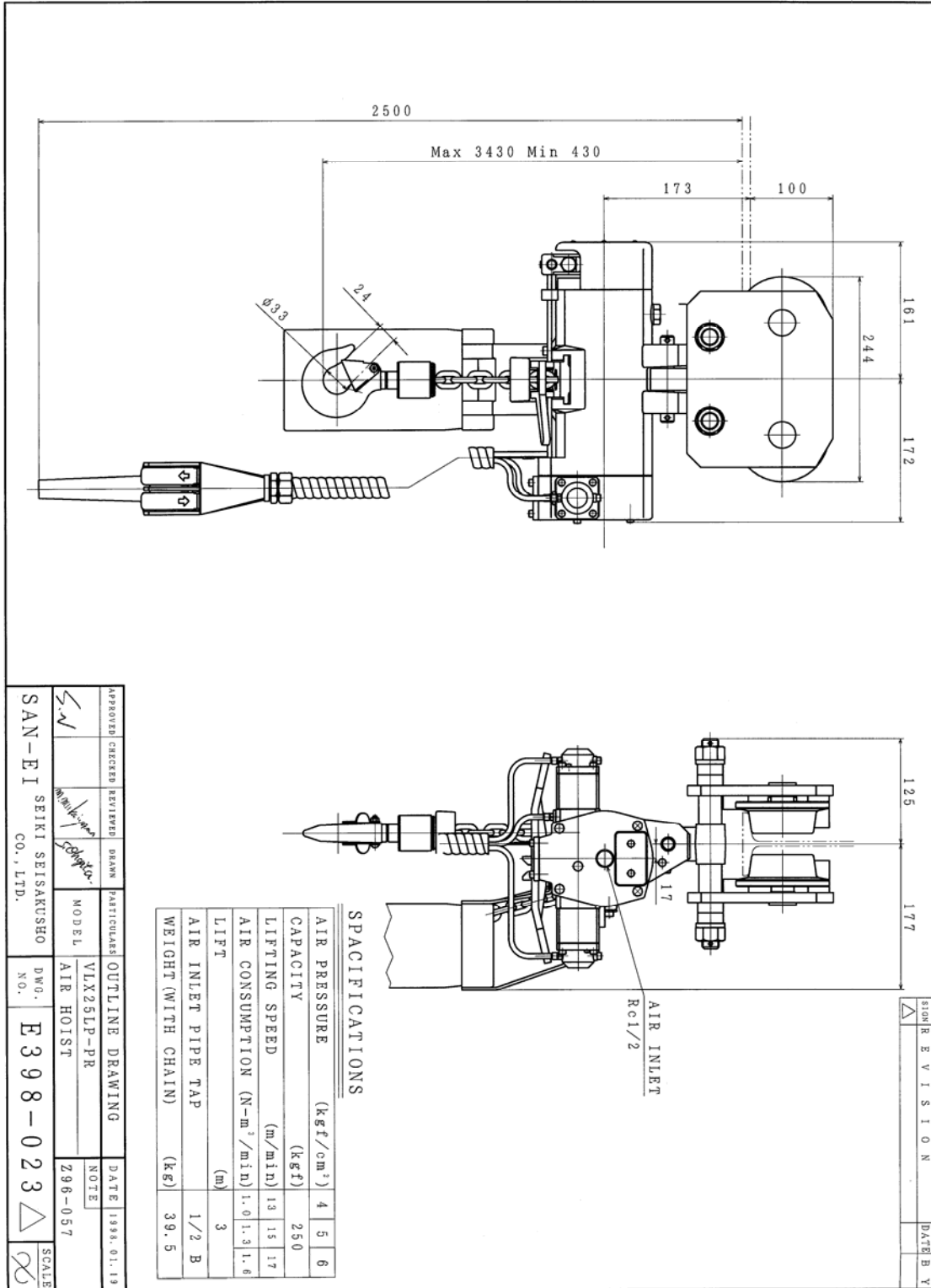
SPECIFICATIONS

Air pressure (kgf/cm ²)	4	5	6
Capacity (kgf)	250		
Lifting speed (m/min)	13	15	17
Air consumption (m ³ /min)	1.0	1.3	1.6
Lift (m)	3.0		
Air inlet	Rc 1/2		
Weight (kg) (with chain)	about 23		

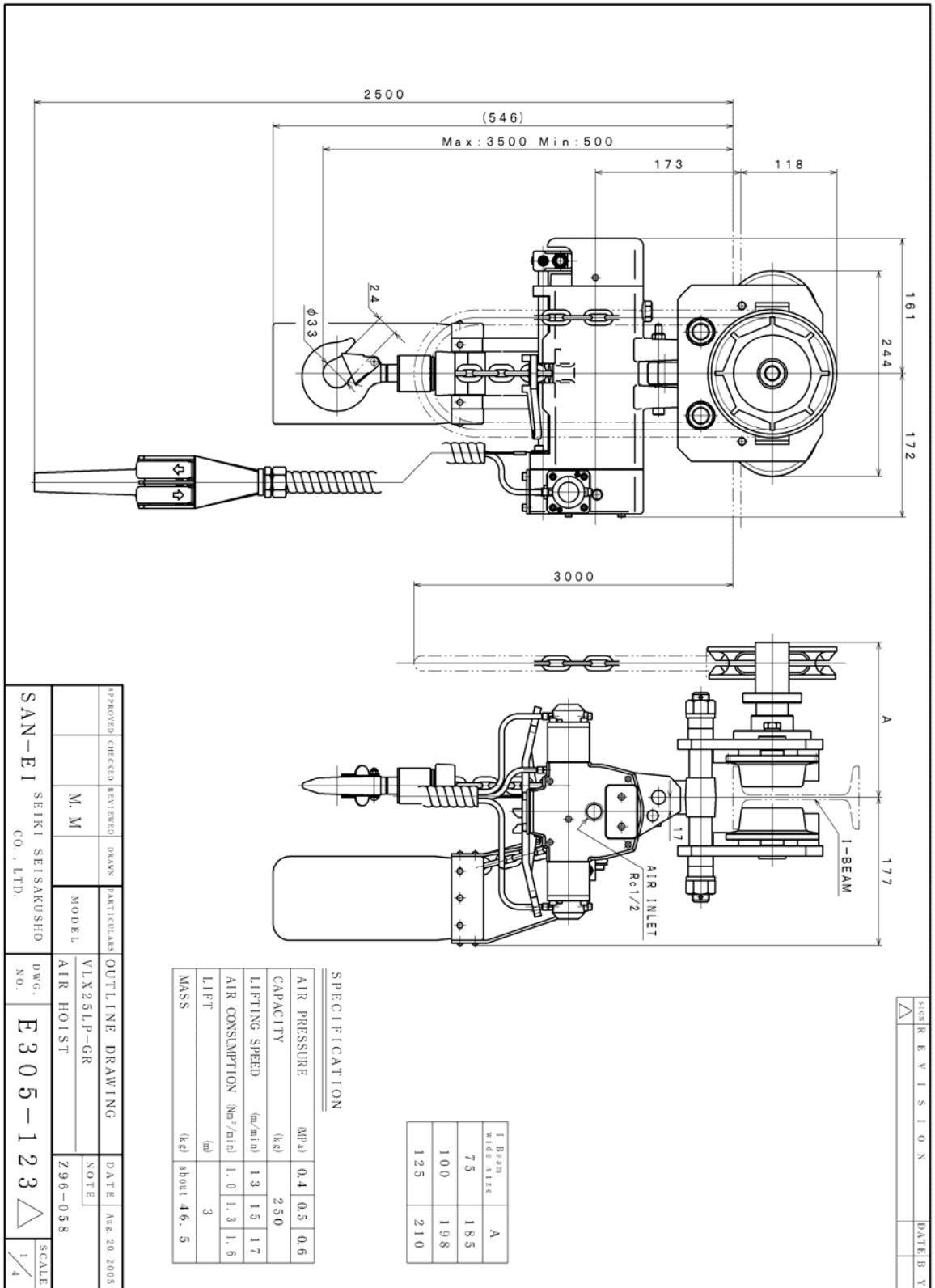
APPROVED	CHECKED	REVIEWED	DRAWN	PARTICULARS	DATE
			S/N	Outline Drawing VLX 25 LP Air Hoist	Oct. 24, 39
SAN-EI SEKI SEISAKUSHO CO., LTD.				MODEL	NOTE
DWC. NO. E389-119				SCALE	1/3

出図先	
承	
東	
大	
北	
計	
組	
検	
出	
控	
計	

VLX25LP-PR



VLX25LP-GR



REVISION	DATE

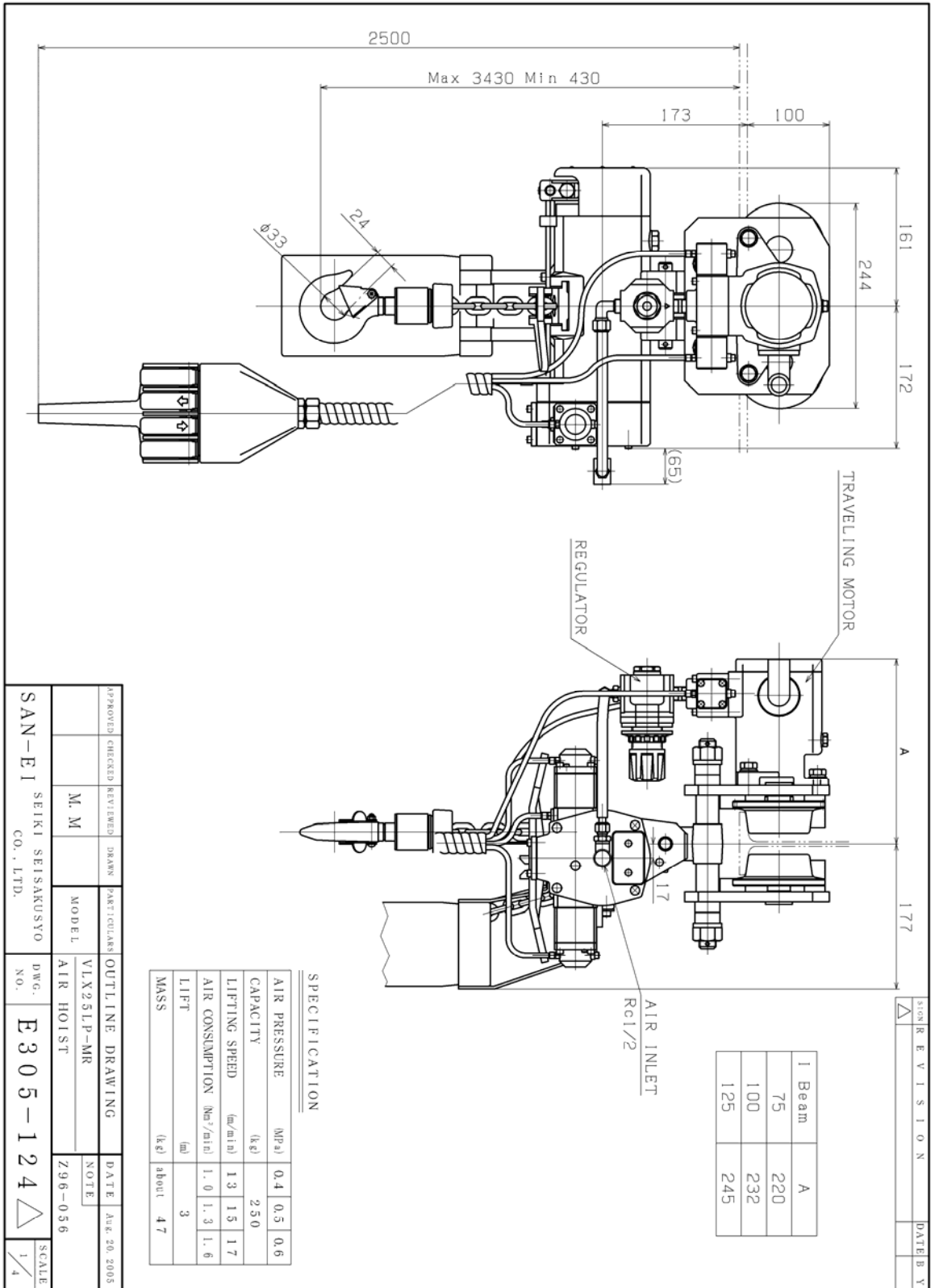
I-Beam wide size	A
75	185
100	198
125	210

SPECIFICATION

AIR PRESSURE	MPa)	0.4	0.5	0.6
CAPACITY	(kg)	250		
LIFTING SPEED	(m/min)	1.3	1.5	1.7
AIR CONSUMPTION	(m ³ /min)	1.0	1.3	1.6
LIFT	(m)	3		
MASS	(kg)	about 46.5		

APPROVED	CHECKED	REVIEWED	DRAWN	PARTICULARS	DATE
					Aug. 20, 2005
M. M.				MODEL	NOTE
SAN-EI SEIKI SEISAKUSHO				VLX25LP-GR	296-058
CO., LTD.				AIR HOIST	SCALE
DWG. NO.				E305-123	1/4

VLX25LP-MR



SPECIFICATION

AIR PRESSURE	MPa)	0.4	0.5	0.6
CAPACITY	(kg)	250		
LIFTING SPEED	(m/min)	1.3	1.5	1.7
AIR CONSUMPTION	(Nm ³ /min)	1.0	1.3	1.6
LIFT	(m)	3		
MASS	(kg)	about 47		

APPROVED	CHECKED	REVIEWED	DRAWN	PARTICULARS	OUTLINE DRAWING	DATE	AUG. 26, 2005
		M. M		MODEL	VLX25LP-MR	NOTE	
				AIR HOIST	Z96-056		
SAN-EI SEIKI SEISAKUSYO CO., LTD.					DWG. NO.	E305-124	SCALE
							1/4

REVISION	DATE	BY